

# LL002 Series Plastic Liquid Level Switches

## Full-Size Switches

MODEL NO.	With SLOSH SHIELD #	DWG NO.	FLOAT MATL	STEM MATL	MAX TEMP (CELSIUS)	MAX PSIG	FLOAT SG	NOMINAL VA	LEAD WIRES	FITTING	** APPROVALS
LL002.001	LL002.051	28	PP <sup>†</sup>	PP <sup>†</sup>	105°	100	0.75	60	22 ga. MTW 24"	1/4" NPT	A,B,C,D,I
LL002.002	LL002.052	28	PP <sup>†</sup>	PP <sup>†</sup>	105°	100	0.75	25 <sup>b</sup>	22 ga. Teflon 24"	1/4" NPT	A,B,C,D
LL002.003	LL002.053	28	PP <sup>†</sup>	PP <sup>†</sup>	105°	100	0.75	100	22 ga. MTW 24"	1/4" NPT	A,B,C,D
LL002.007	LL002.057	28	PP <sup>†</sup>	PP <sup>†</sup>	105°	100	0.75	100	22 ga. MTW 24"	1/4" NPT	C,D
LL002.004	LL002.054	28	Buna-N <sup>†</sup>	PBT <sup>†</sup>	105°	150	0.45	60	22 ga. Teflon 24"	1/4" NPT	A,B,C
LL002.005	LL002.055	28	Buna-N <sup>†</sup>	PBT <sup>†</sup>	105°	150	0.45	25 <sup>b</sup>	22 ga. Teflon 24"	1/4" NPT	A,B,C
LL002.006	LL002.056	28	Buna-N <sup>†</sup>	PBT <sup>†</sup>	105°	150	0.45	100	22 ga. Teflon 24"	1/4" NPT	A,B,C
LL002.008	LL002.058	28	PP <sup>†</sup>	CPVC <sup>†</sup>	105°	100	0.75	100	22 ga. MTW 24"	1/4" NPT	C
LL002.009	LL002.059	28	Kynar <sup>†</sup>	Kynar <sup>†</sup>	105°	15	0.75	60	22 ga. Teflon 24"	1/4" NPT	B,C,D
LL002.060	–	29	Buna-N <sup>†</sup>	PBT <sup>†</sup>	105°	150	0.45	60	Nylon Cable 6 ft.	–	–
LL002.061	–	29	PP <sup>†</sup>	PP <sup>†</sup>	105°	100	0.75	60	PP Cable 6 ft.	–	–

## Miniature Switches

MODEL	With SLOSH SHIELD #	DWG NO.	FLOAT MATL	STEM MATL	MAX TEMP (CELSIUS)	MAX PSIG	FLOAT SG	NOMINAL VA	LEAD WIRES	FITTING	** APPROVALS
LL002.101	LL002.151	30	PP <sup>†</sup>	PP <sup>†</sup>	105°	100	0.80	30	22 ga. MTW 24"	1/8" NPT	A,B,C,D
LL002.102	LL002.152	30	Buna-N <sup>†</sup>	PP <sup>†</sup>	105°	150	0.45	30	22 ga. MTW 24"	1/8" NPT	A,B,C
LL002.103	LL002.153	30	Buna-N <sup>†</sup>	PBT <sup>†</sup>	105°	150	0.45	30	22 ga. Teflon 24"	1/8" NPT	A,B,C
LL002.104	LL002.154	30	Kynar <sup>†</sup>	Kynar <sup>†</sup>	105°	15	0.85	30	22 ga. Teflon 24"	1/8" NPT	A,B,C,D

## Side-Mounted Switches

MODEL NO.	With SLOSH SHIELD #	DWG NO.	FLOAT MATL	STEM MATL	MAX TEMP (CELSIUS)	MAX PSIG	FLOAT SG	NOMINAL VA	LEAD WIRES	** APPROVALS
LL002.201	LL002.201	32	PP <sup>†</sup>	PP <sup>†</sup>	105°	100	0.60	30	22 ga. MTW 24"	A,B,C,D
LL002.202	LL002.202	33	PP <sup>†</sup>	PP <sup>†</sup>	105°	100	0.60	30	22 ga. MTW 24"	A,B,C,D
LL002.203	–	34	PP <sup>†</sup>	PP <sup>†</sup>	105°	100	0.60	30	22 ga. Teflon 24"	A,B,C,D
LL002.204	LL002.204	35	PP <sup>†</sup>	PP <sup>†</sup>	105°	100	0.60	30	22 ga. MTW 24"	A,B,C,D
LL002.205	–	36	PP <sup>†</sup>	PP <sup>†</sup>	105°	100	0.60	30	22 ga. MTW 24"	A,B,C,D
LL002.206	LL002.206	32	PBT <sup>†</sup>	PBT <sup>†</sup>	130°	100	0.70	30	22 ga. Teflon 24"	A,B,C
LL002.207	LL002.207	33	PBT <sup>†</sup>	PBT <sup>†</sup>	130°	100	0.70	30	22 ga. Teflon 24"	A,B,C
LL002.208	–	34	PBT <sup>†</sup>	PBT <sup>†</sup>	130°	100	0.70	30	22 ga. Teflon 24"	A,B,C
LL002.209	LL002.209	35	PBT <sup>†</sup>	PBT <sup>†</sup>	130°	100	0.70	30	22 ga. Teflon 24"	A,B,C
LL002.210	–	36	PBT <sup>†</sup>	PBT <sup>†</sup>	130°	100	0.70	30	22 ga. Teflon 24"	A,B,C
LL002.211	LL002.211	32	Kynar <sup>†</sup>	Kynar <sup>†</sup>	105°	100	0.93	30	22 ga. Teflon 24"	A,B,C,D

PP=Polypropylene      <sup>†</sup> Also available in Polysulfone (consult factory)      # Approval "D" does not apply to units with Slosh Shields.

<sup>a</sup> Not for use in hot water at temperatures above 65°C      <sup>b</sup> SPDT switch operation

\*\* Refer to Approvals pages in Reference Section      \*\*\* Also available with a Thermocouple or RTD

APT Instruments • 877.324.5444 • 217.227.3000 • 217.227.3003Fx • sales@aptinstruments.com • www.aplinstruments.com

All specifications are subject to change without notice.

# LL002 Series Plastic Liquid Level Switches

## Subminiature Switches

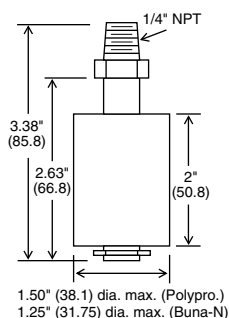
With SLOSH SHIELD	With TEMP. SENSOR	DWG NO.	FLOAT MATL	STEM MATL	MAX TEMP (CELSIUS)	MAX PSIG	FLOAT SG	NOMINAL VA	LEAD WIRES	FITTING	** APPROVALS
LL002.301	—	31a	PP†	PP†	105°	50	0.85	15	22 ga. Teflon 24"	3/8-16	A,B,C
LL002.302	—	31a	PP†	PP†	105°	50	0.85	15	22 ga. Teflon 24"	3/8-16	A,B,C
LL002.303	—	31b	PP†	PP†	105°	50	0.85	15	22 ga. Teflon 24"	1/8" NPT	—
LL002.304	—	31b	PP†	PP†	105°	50	0.85	15	22 ga. Teflon 24"	1/8" NPT	—
LL002.305	Type J	31a	PP†	PP†	105°	100	0.85	15	22 ga. Teflon 24"	3/8-16	A,B,C
LL002.306	Type K	31a	PP†	PP†	105°	100	0.85	15	22 ga. Teflon 24"	3/8-16	A,B,C
LL002.307	—	39a	PP†	316SS	105°	100	0.70	15	24 ga. Teflon 24"	1/8" NPT	A,B,C
LL002.308	—	39b	PP†	316SS	105°	100	0.70	15	24 ga. Teflon 24"	3/8-24	A,B,C

† Also available in Polysulfone (consult factory)

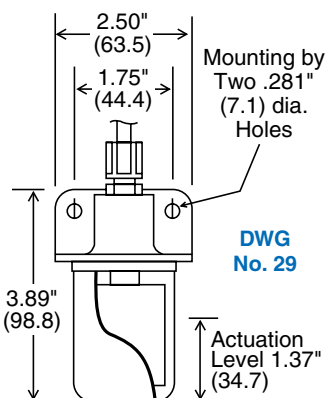
PP=Polypropylene

\*\* Refer to Approvals pages in Reference Section

DWG No. 28

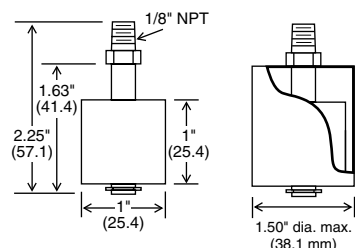


Cutaway Showing Slosh Shield Operation



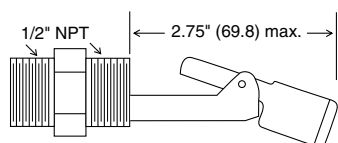
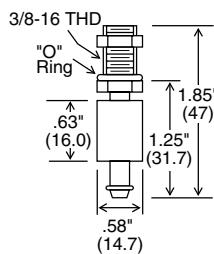
DWG No. 29

DWG No. 30

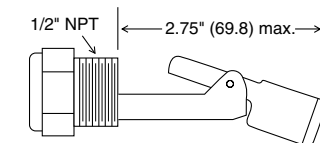


Cutaway Showing Slosh Shield Operation

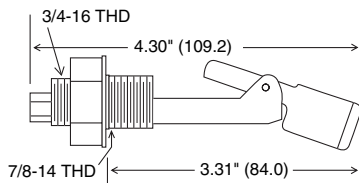
DWG No. 31a



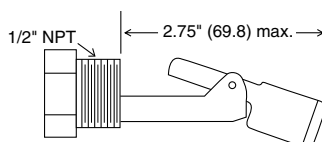
DWG No. 32



DWG No. 33

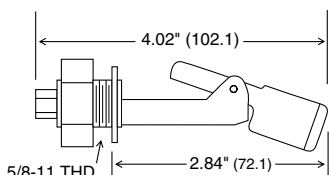
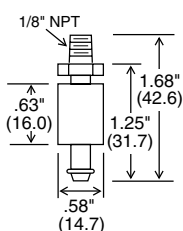


DWG No. 34

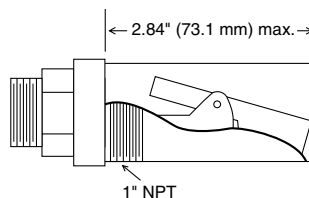


DWG No. 35

DWG No. 31b

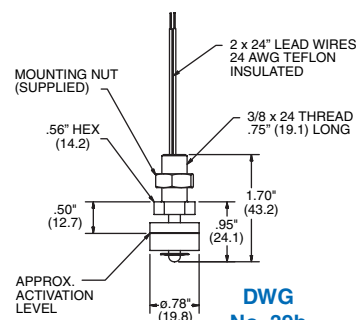
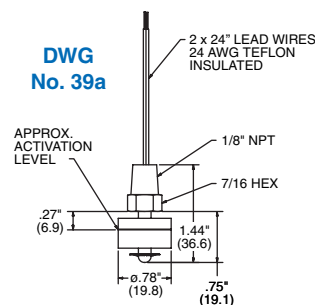


DWG No. 36



Cutaway Showing Slosh Shield Operation

DWG No. 39a



DWG No. 39b